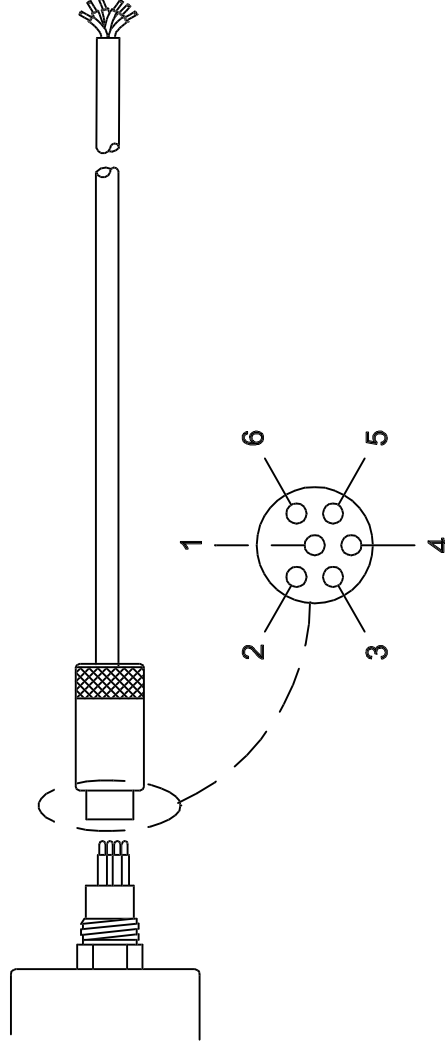


Pin

- 1 — White — D0
- 2 — Black — Power Gnd
- 3 — Red — +12 Volts
- 4 — Green — D0
- 5 — Blue — N/C
- 6 — Brown — N/C



PMCIL-6-FS

TITLE:

PMCIL-6-FS TO RS-485
INTERFACE DIAGRAM

DRAWN BY:
JB

DATE:
28-JAN-05

DRAWING NO.:
MCR-026666-EAA

AML NO.:
CUSTOM

MATERIAL:
N/A

SIZE A

SHEET NO.:
SHEET 1 OF 1

APPLIED Because it's not just H₂O
MICROSYSTEMS
 2071 Malview Avenue Sidney, B.C. Canada, V8L 5X6
 TEL: (250) 656 0771 FAX: (250) 655 3655 www.appliedmicrosystems.com

REV	DESCRIPTION	BY	DATE